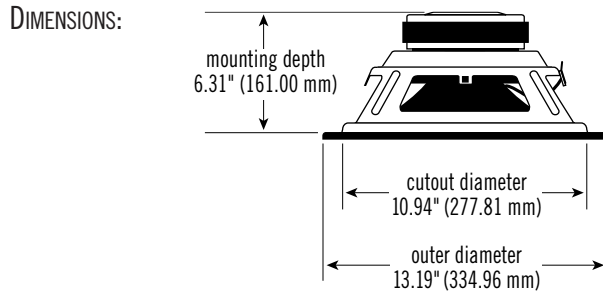


SPECIFICATIONS

DIAMETER:	12" (304.8 mm)
SENSITIVITY (2.83 V @ 1m):	92 dB
POWER HANDLING:	300 W _{RMS} (1,200 W _{PEAK})
FREQUENCY RESPONSE:	18 ~ 250 Hz
NOMINAL IMPEDANCE:	4 OHMS (PER COIL)
VOICE-COIL DIAMETER:	2.0" (50.0 mm)

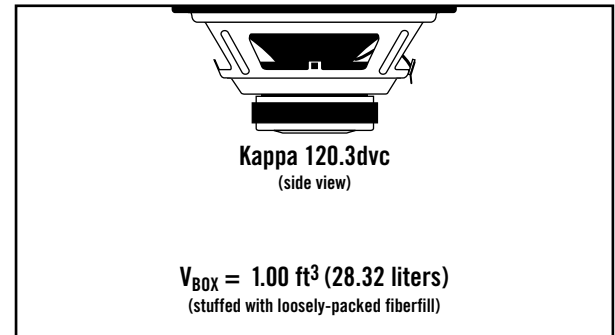


THIELE-SMALL PARAMETERS*

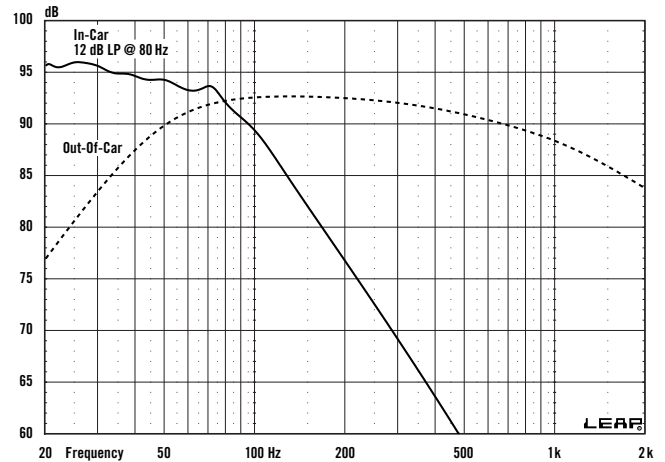
VOICE COIL DC RESISTANCE:	R_{EVC} (OHMS)	2.32
VOICE COIL INDUCTANCE @ 1 kHz:	L_{EVC} (MH)	0.92
DRIVER RADIATING AREA:	S_D (IN ²)	76.11
	S_D (CM ²)	491.00
MOTOR FORCE FACTOR:	BL (TM)	11.98
COMPLIANCE VOLUME:	V_{AS} (FT ³)	2.47
	V_{AS} (LITERS)	69.87
SUSPENSION COMPLIANCE:	C_{MS} (μM/N)	204.09
MOVING MASS, AIR LOAD:	M_{MS} (GRAMS)	172.42
MOVING MASS, DIAPHRAGM:	M_{MD} (GRAMS)	166.16
FREE-AIR RESONANCE:	F_S (Hz)	26.83
MECHANICAL Q:	Q_{MS}	4.93
ELECTRICAL Q:	Q_{ES}	0.47
TOTAL Q:	Q_{TS}	0.43
MAGNETIC-GAP HEIGHT:	H_{AG} (IN)	0.39
	H_{AG} (MM)	10.00
VOICE-COIL HEIGHT:	H_{VC} (IN)	1.46
	H_{VC} (MM)	37.00
MAXIMUM EXCURSION:	X_{MAX} (IN)	0.53
	X_{MAX} (MM)	13.50

*VOICE COILS CONNECTED IN PARALLEL

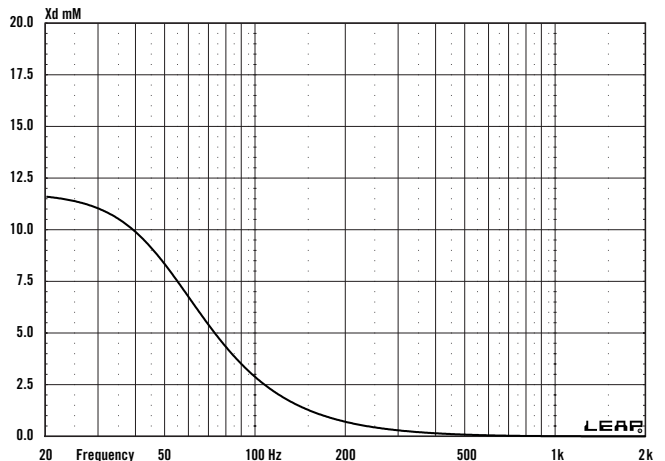
SEALED BOX VOLUME (INCLUDES DRIVER DISPLACEMENT)



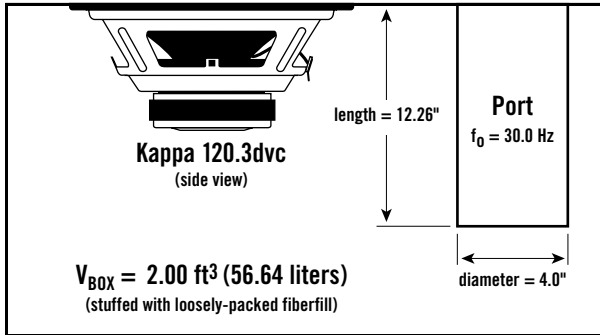
SEALED FREQUENCY RESPONSE @ 2.83 V



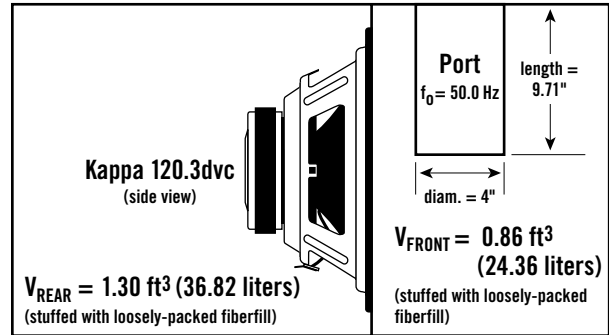
SEALED TRANSDUCER EXCURSION @ 300 W



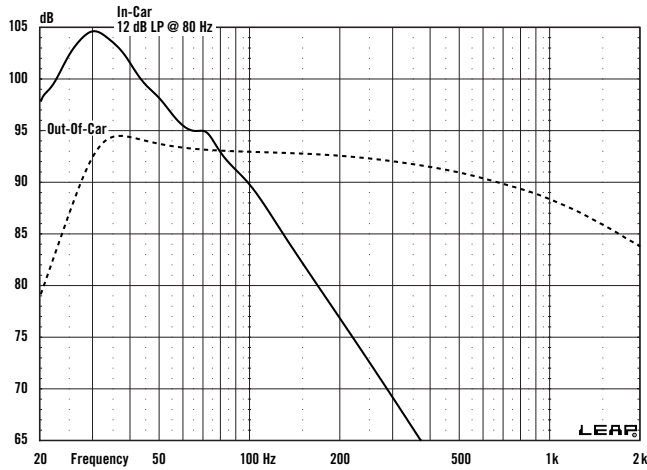
**VENTED BOX VOLUME
(INCLUDES DRIVER DISPLACEMENT)**



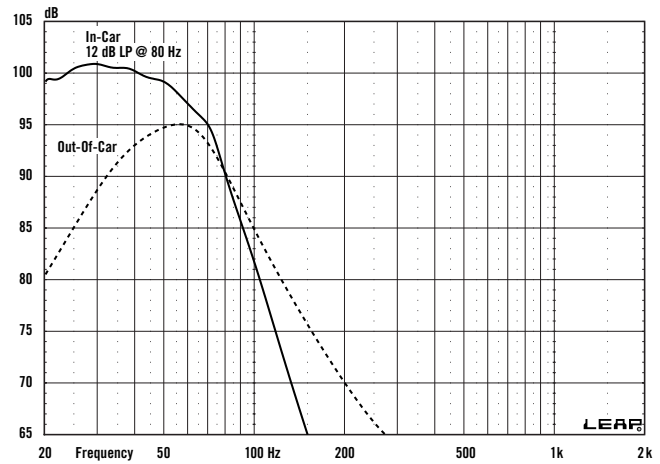
**SEALED BANDPASS BOX VOLUME
(INCLUDES DRIVER DISPLACEMENT)**



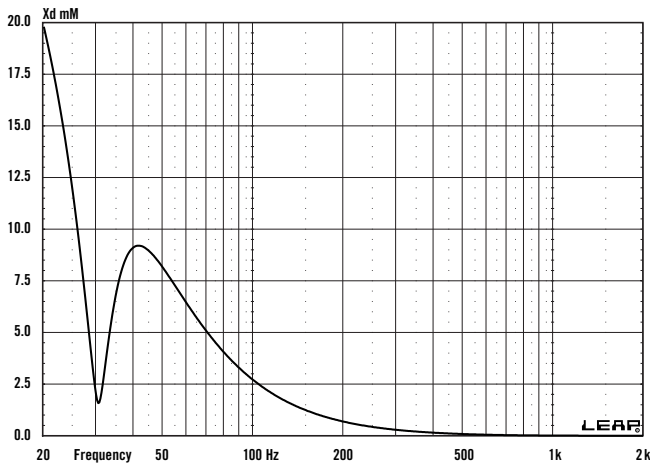
**VENTED
FREQUENCY RESPONSE @ 2.83 V**



**SEALED BANDPASS
FREQUENCY RESPONSE @ 2.83 V**



**VENTED
TRANSDUCER EXCURSION @ 300 W**



**SEALED BANDPASS
TRANSDUCER EXCURSION @ 300 W**

